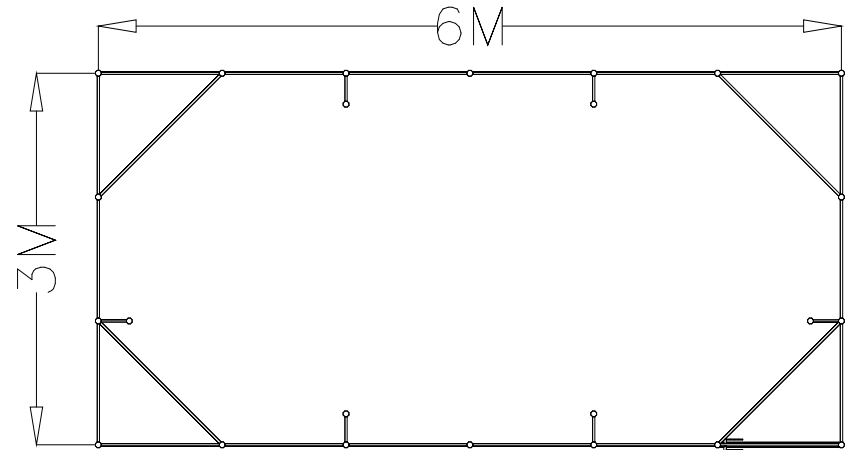


NOTE:

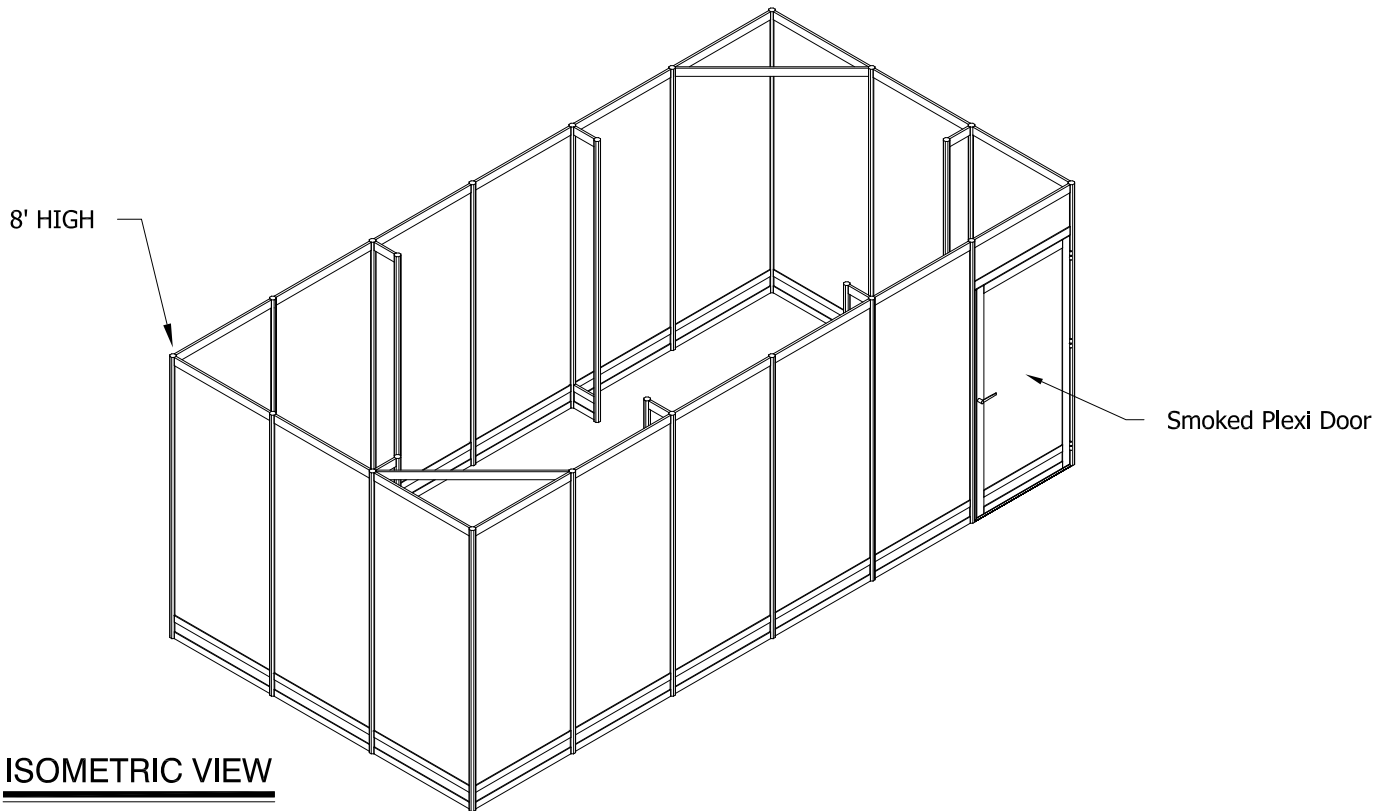
ALL METAL IS Black.

ALL PANELS ARE BLACK TUFFCOAT
UNLESS OTHERWISE NOTED.

ALL COUNTERTOPS ARE WHITE MELAMINE
UNLESS OTHERWISE NOTED.



PLAN VIEW



ISOMETRIC VIEW



Client: **American Society of Cataract & Refractive Surgery**
Show: ASCRS9 - April 18-21, 2015
Facility: Boston Convention Center - Boston, MA

Design No: 08
Description: Business Suites
Booth No:

Project No: 25-1504-600503
Requestor: Jennifer Murray
Concept: a
Design Rev:

Date: 03-10-15
Designer: J. Islas
Detailer:
Page No: **1 of 1**

Copyright © 2015 by Global Experience Specialists. All rights Reserved. No Part of this document may be reproduced, stored in any retrieval system, or transmitted in any form or by any means - electronic, mechanical, photocopying, recording or otherwise - without the express written consent of Global Experience Specialists.